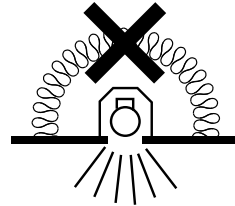


LED PANEL LIGHT

WARNING:

1. Ensure that any installation and maintenance is performed by a qualified electrician and that luminaire is wired in accordance to the latest IEE electrical regulations or the local equipments.
2. Ensure that the power supply is off before installation and maintenance and not switched on until the installation or maintenance is completed.
3. The light source contained in this luminaire shall only be replaced by the manufacturer or his service agent or a similar qualified person.

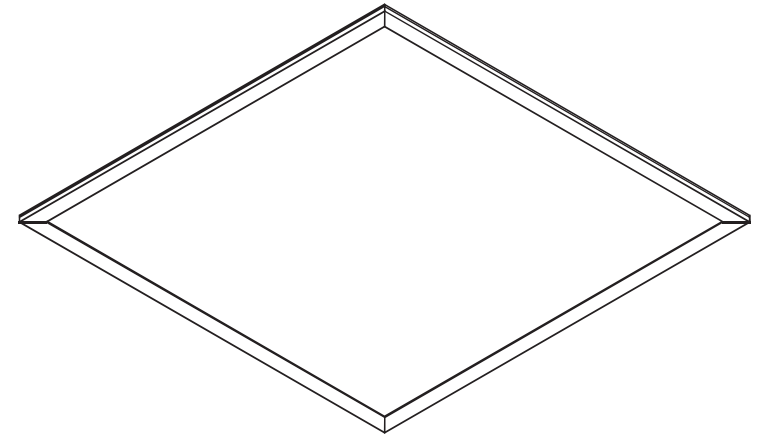


The luminaire cannot be covered with thermal insulation matting or similar materials.



Caution: Risk of electric shock.

4. Do not apply force to the surface of the luminaire during installation.
5. If the external flexible cord of this luminaire is damaged, it shall be exclusively replaced by the manufacturer or his service agent or a similar qualified person in order to avoid a hazard.

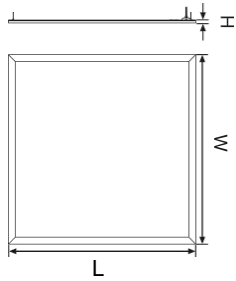


IP20

Tridonic GmbH & Co KG
Faerbergasse 15
6851 Dornbirn / Austria

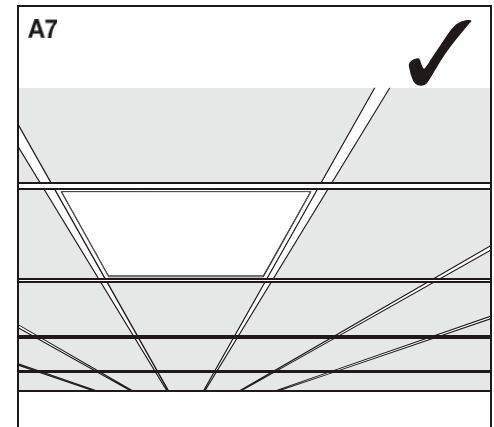
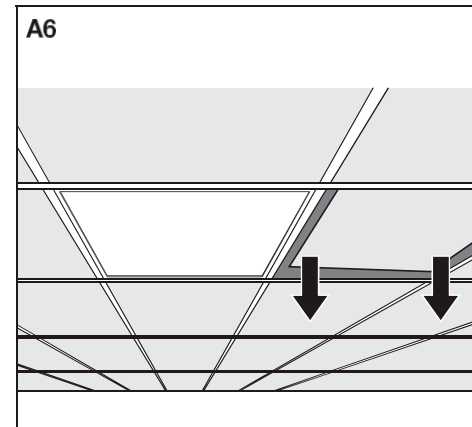
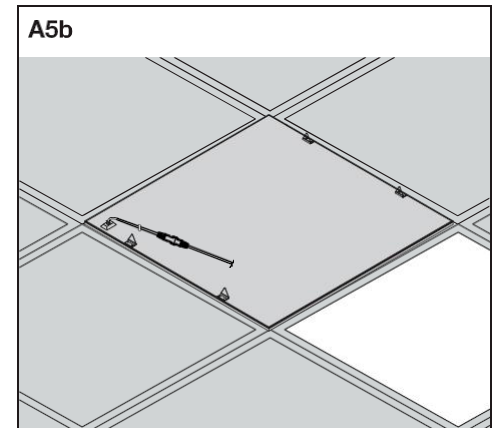
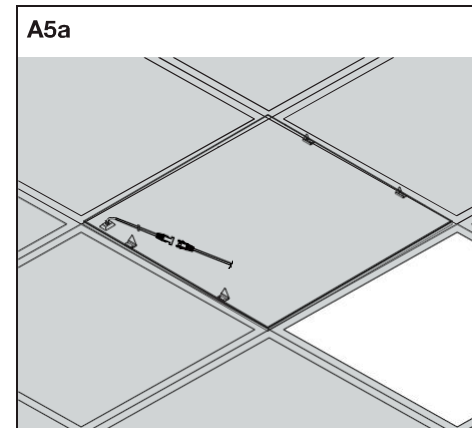
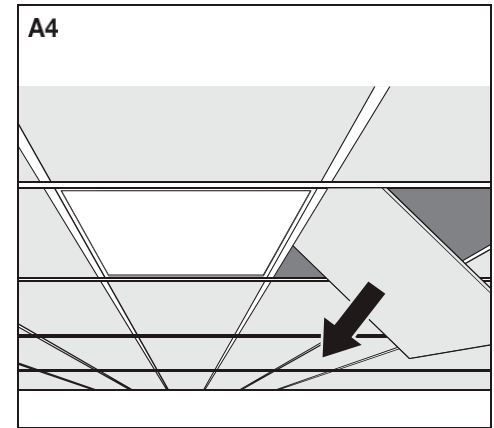
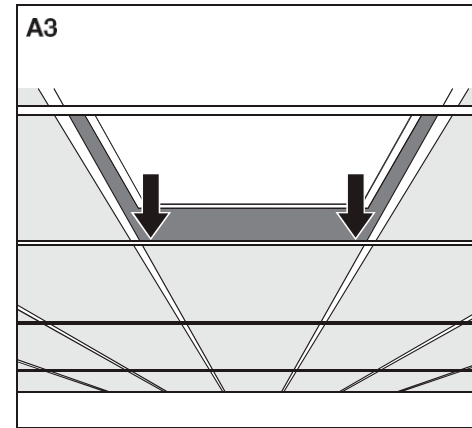
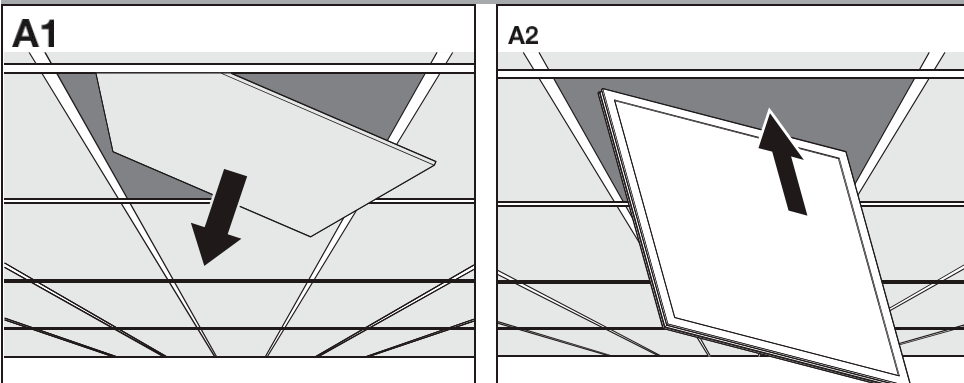
- Please read instruction carefully before assembling and installation.
- Please keep instruction as reference in the future.

TRIDONIC



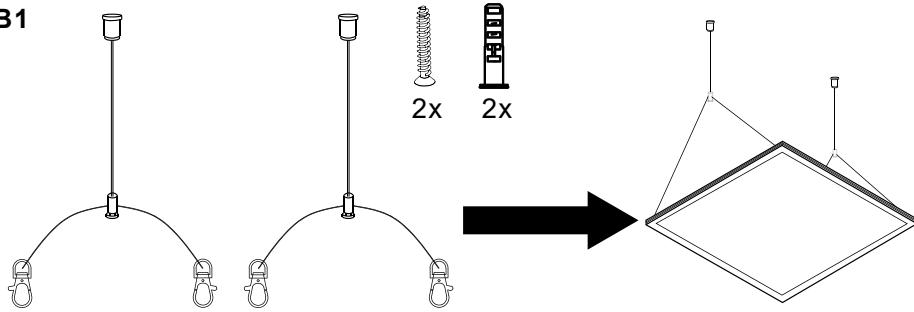
Tridonic article number	Material Description (short text)	Vrated	LxWxH (mm)
28003274	ELA 600x600mm 3800lm 830 ADV2	39VDC	595x595x8.5
28003275	ELA 600x600mm 3800lm 840 ADV2		
28003276	ELA 600x600mm 3800lm 865 ADV2		
28003277	ELA 625x625mm 3800lm 830 ADV2		620x620x8.5
28003278	ELA 625x625mm 3800lm 840 ADV2		
28003279	ELA 1200x300mm 3800lm 830 ADV2		1195x295x8.5
28003280	ELA 1200x300mm 3800lm 840 ADV2		
28003281	ELA 1200x300mm 3800lm 865 ADV2	35VDC	595x595x8.5
28003282	ELA 600x600mm 3800lm 827-865 ADV2		
28003283	ELA 600x600mm 3800lm 830 ADV2 TPA		
28003284	ELA 600x600mm 3800lm 840 ADV2 TPA	39VDC	595x595x8.5
28003285	ELA 600x600mm 3800lm 830 SNC2	40VDC	
28003286	ELA 600x600mm 3800lm 840 SNC2		
28003287	ELA 600x600mm 3800lm 865 SNC2		

Recessed mount

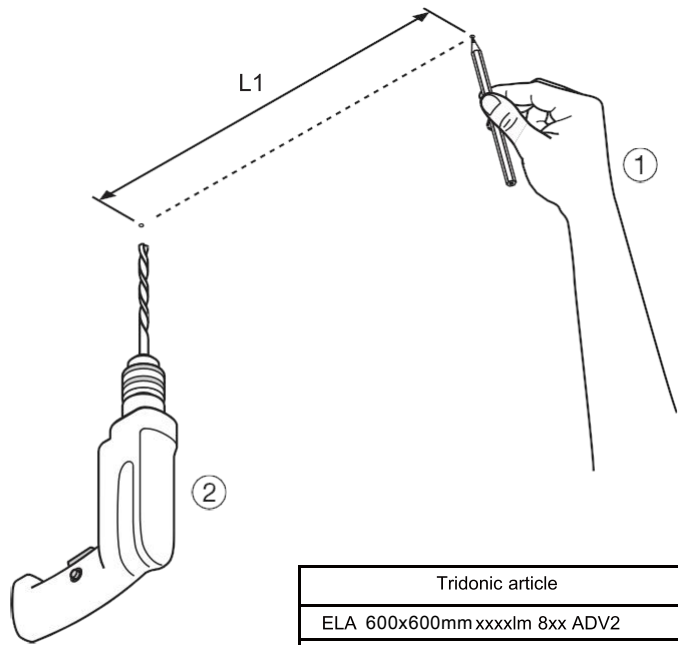


Suspension mount

B1

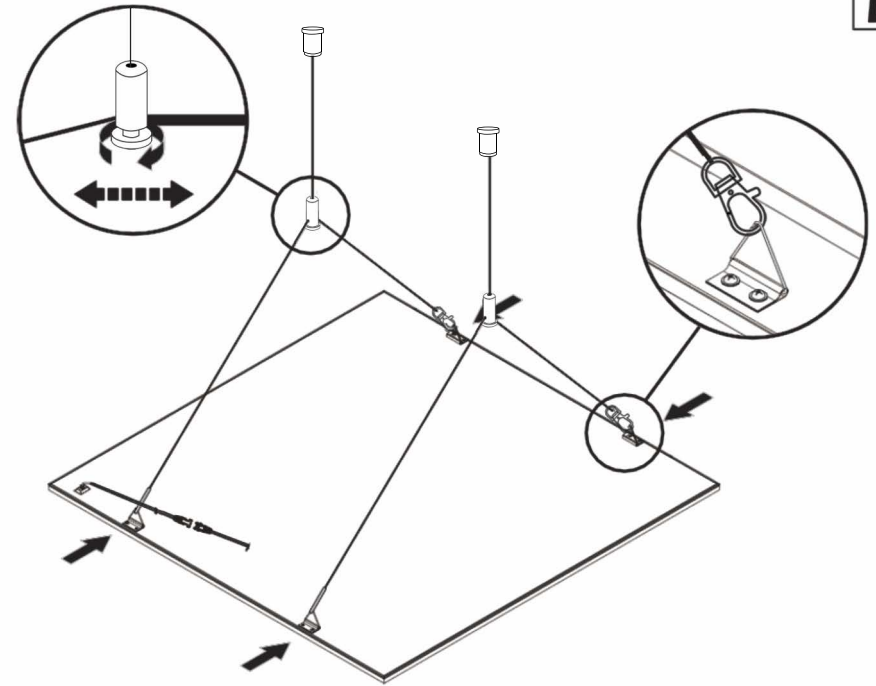


B2

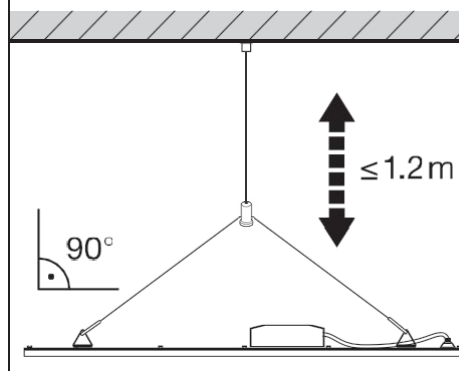


Tridonic article	L1(mm)
ELA 600x600mm xxxxl _m 8xx ADV2	501
ELA 620x620mm xxxxl _m 8xx ADV2	526
ELA 1200x300mm xxxxl _m 8xx ADV2	695
ELA 600x600mm xxxxl _m 8xx SNC2	501
ELA 600x600mm xxxxl _m 8xx ADV2 TPA	501

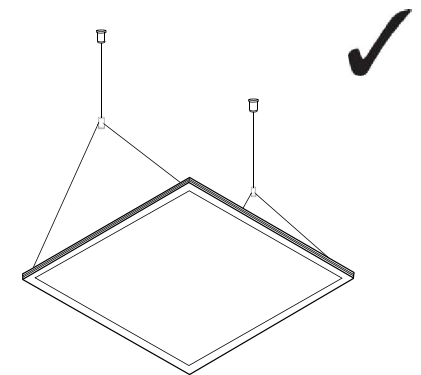
B3



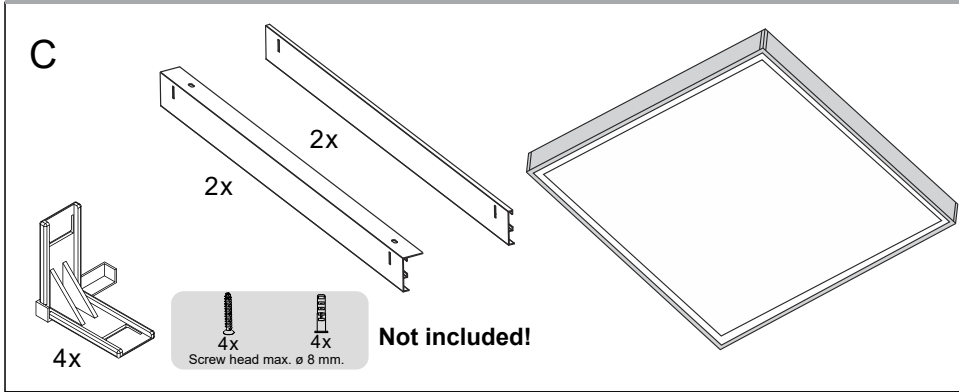
B4



B5

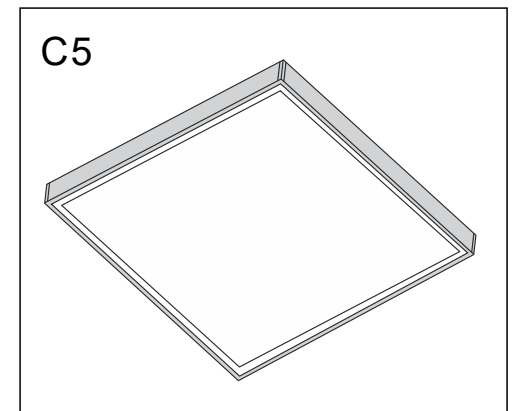
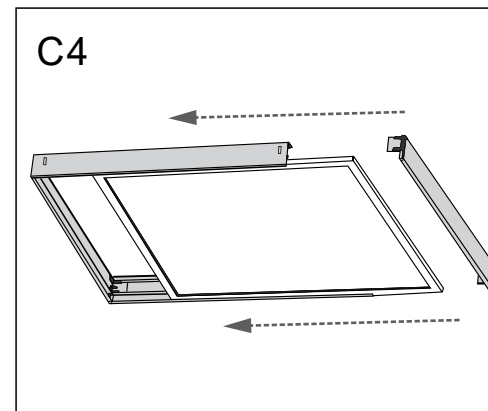
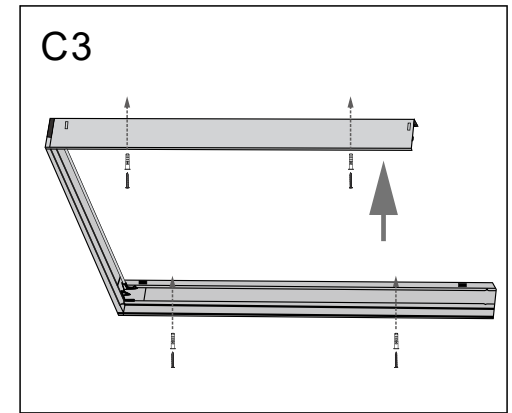
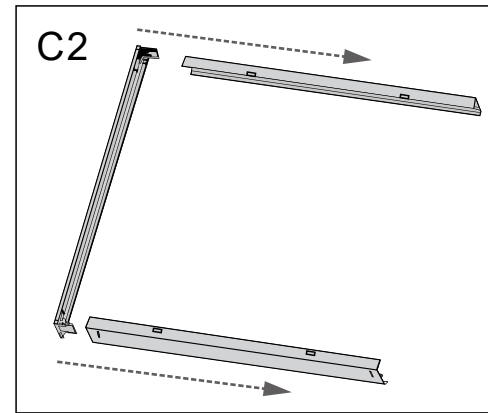
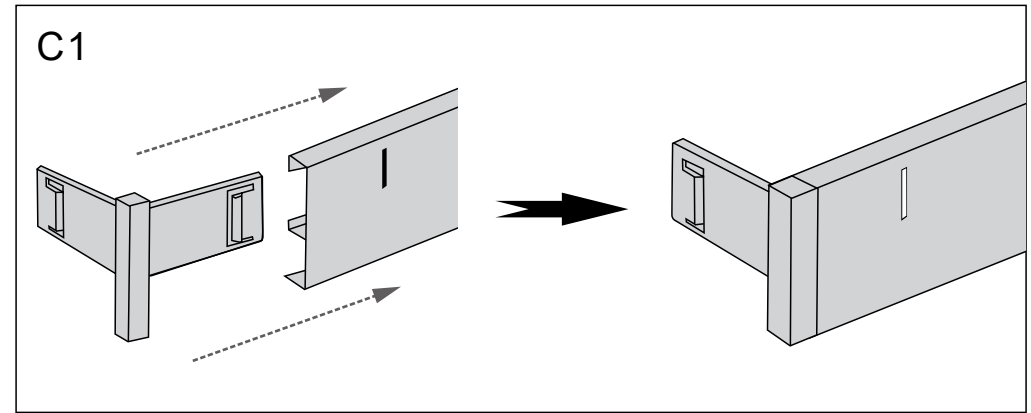


Surface mount 6060/6262

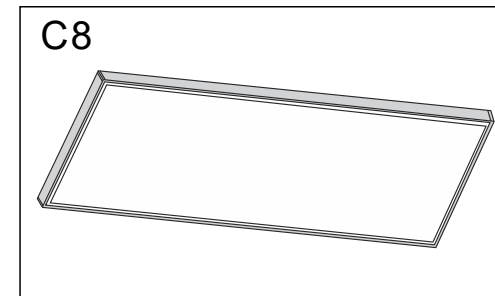
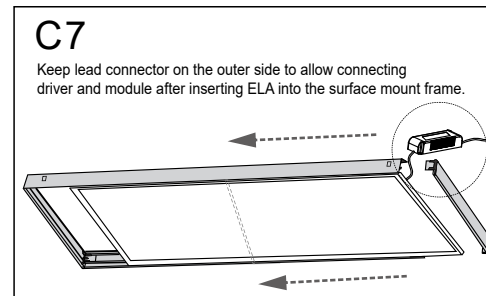
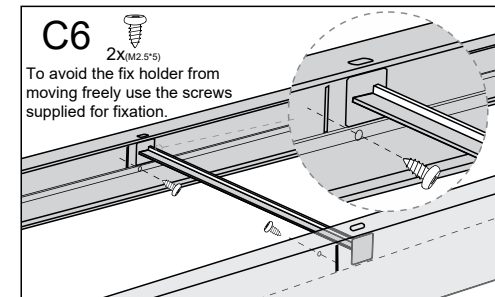
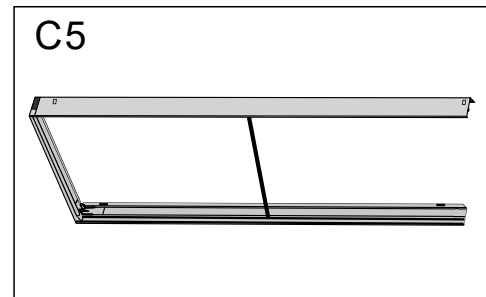
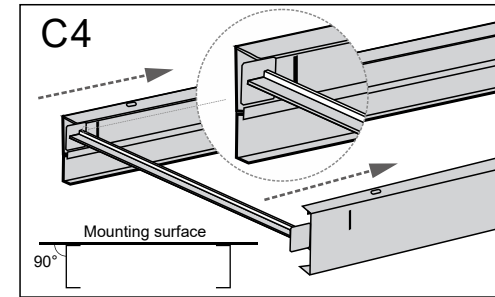
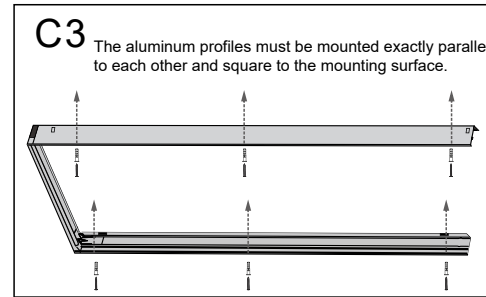
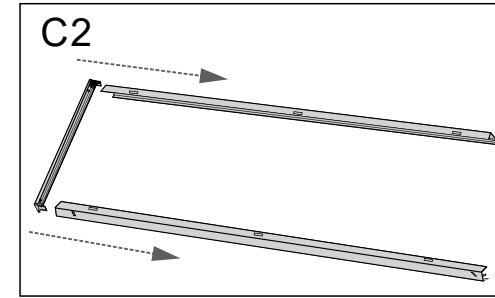
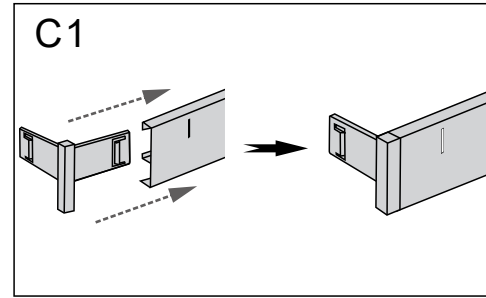
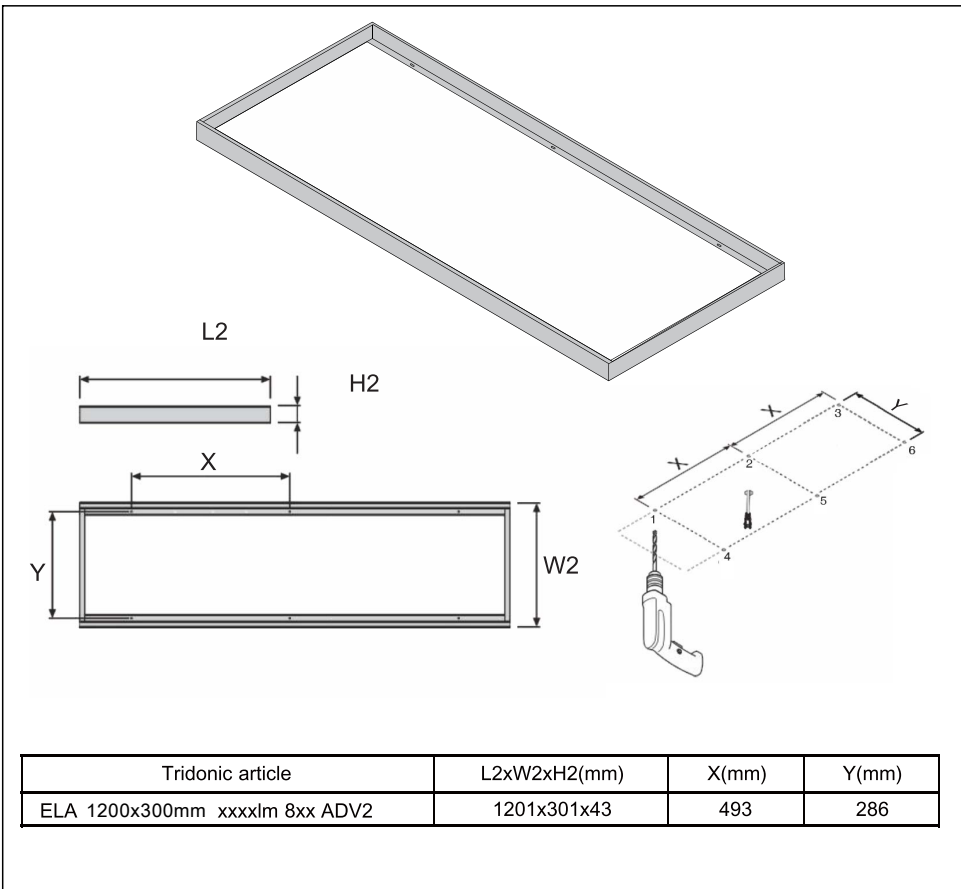
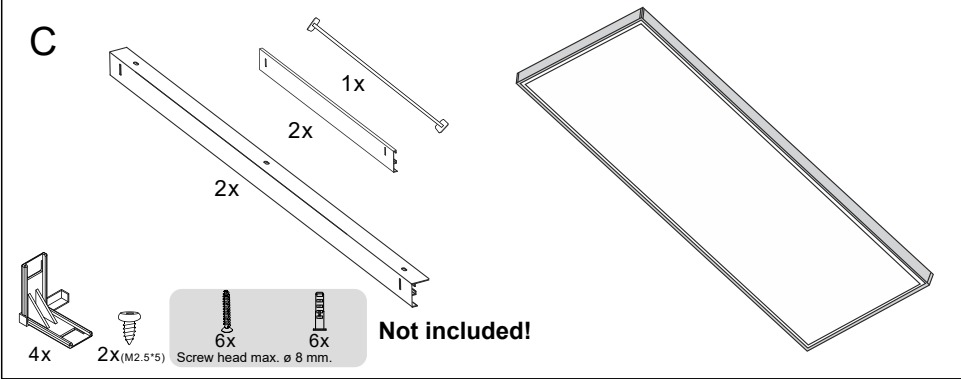


L2
H2
X
Y
W2

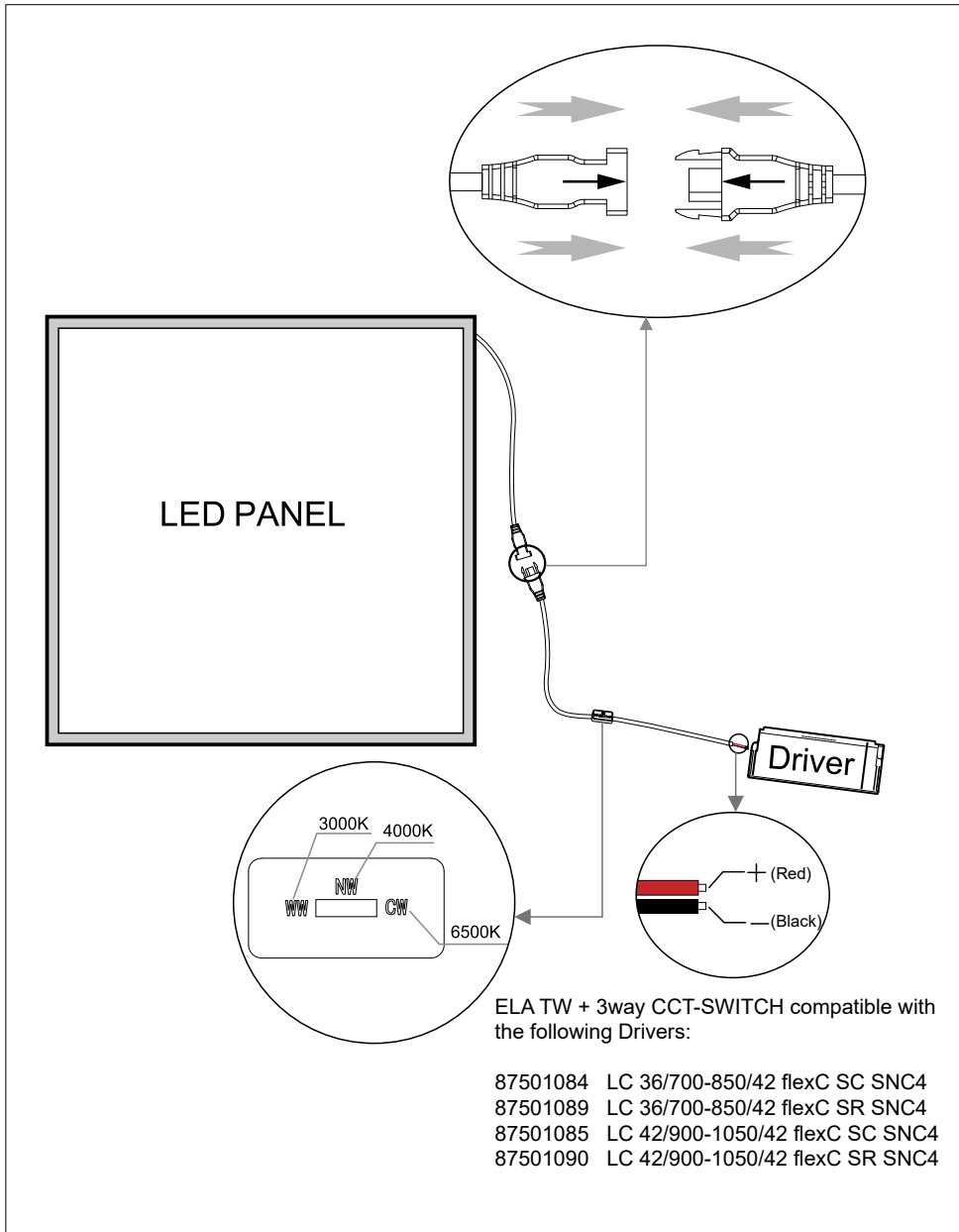
Tridonic article	L2xW2xH2(mm)	X(mm)	Y(mm)
ELA 600x600mm xxxlm 8xx ADV2	601x601x43	386	586
ELA 620x620mm xxxlm 8xx ADV2	626x626x43	411	611
ELA 600x600mm xxxlm 8xx SNC2	601x601x43	386	586
ELA 600x600mm xxxlm 8xx ADV2 TPA	601x601x43	386	586



Surface mount 30120



3way CCT- SWITCH



2 Channel Dimming Driver

